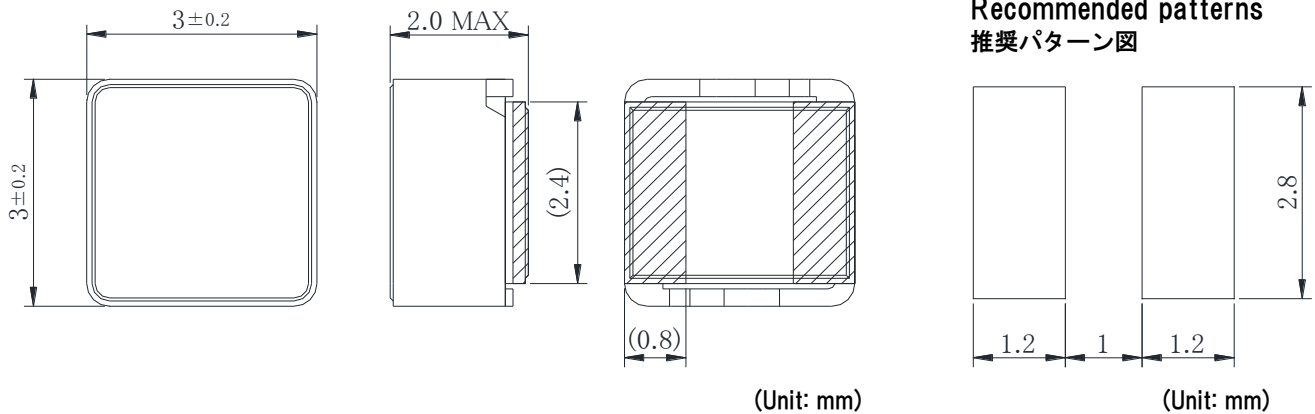


Shield High Power Inductor SHP0320P Series

DIMENSIONS / 外形寸法



FEATURES / 特長

- ・ Low leakage flux to the outside by complete closed magnetic circuit structure.
- ・ 完全閉磁路構造による外部への漏れ磁束が少ない
- ・ Correspond to large saturation current by high Bm Ni-Zn ferrite core.
- ・ 高B材Ni-Zn系フェライトコアによる高飽和電流対応

SPECIFICATIONS / 仕様

Parts No. 部品番号	Inductance *1 インダクタンス [μ H]	Tolerance 許容差 [%]	DC Resistance *2 直流抵抗 [m Ω]	DC Resistance Max *2 最大直流 抵抗[m Ω]	DC Superimposition Current *3 直流重量 許容電流 [A]	Temperature Rise Current *4 温度上昇 許容電流 [A]
SHP0320P-F1R0NAP	1.0	±30%	39	47	2.43	2.48
SHP0320P-F1R6NAP	1.6	±30%	59	71	1.92	1.97
SHP0320P-F2R2NAP	2.2	±30%	78	94	1.56	1.73
SHP0320P-F3R3NAP	3.3	±30%	121	145	1.29	1.40
SHP0320P-F4R7NAP	4.7	±30%	153	184	1.10	1.24
SHP0320P-F6R8NAP	6.8	±30%	245	294	0.89	1.00
SHP0320P-F8R2NAP	8.2	±30%	283	340	0.82	0.93
SHP0320P-F100NAP	10	±30%	302	362	0.74	0.86
SHP0320P-F150NAP	15	±30%	472	566	0.62	0.67
SHP0320P-F180NAP	18	±30%	635	762	0.55	0.59
SHP0320P-F220NAP	22	±30%	700	840	0.50	0.56
SHP0320P-F330NAP	33	±30%	1121	1345	0.40	0.45
SHP0320P-F470NAP	47	±30%	1787	2144	0.33	0.36

- *1 Inductance is measured at 100kHz, 1V .
- *2 DC Resistance is measured at ambient temperature 25°C.
- *3 DC Current based upon 30% inductance reduction from the inithal value.
- *4 DC Current based upon 40°C temperature rise.
- *5 Operating temperature is -40~120°C(includes coil heating).

- インダクタンス測定、100kHz、1V.
- 直流抵抗は周囲温度25°Cにおいて測定.
- インダクタンスが初期値より-30%になる直流電流値.
- 温度上昇 $\Delta T=40^\circ\text{C}$ になる直流電流値.
- 動作温度、-40~120°C(コイルの発熱を含む) .