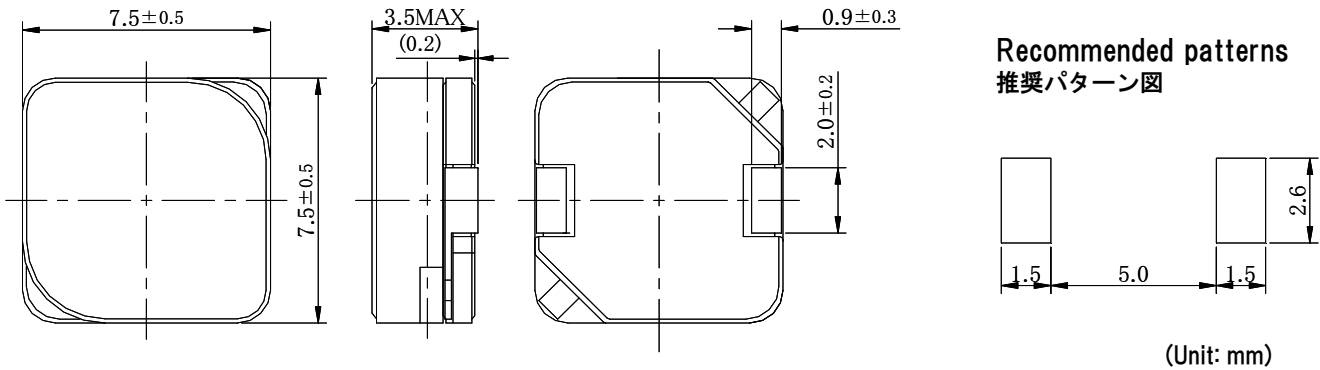


Shield High Power Inductor SHP0735P Series

DIMENSIONS / 外形寸法



FEATURES / 特長

- Low leakage flux by complete closed magnetic circuit structure. • 完全閉磁路構造により漏れ磁束が少ない
- Correspond to large saturation current by high Bm Ni-Zn ferrite core. • 高B材Ni-Zn系フェライトコアによる高飽和電流対応

SPECIFICATIONS / 仕様

Parts No. 部品番号	Inductance *1 インダクタンス [μ H]	Tolerance 許容差 [%]	DC Resistance *2 直流抵抗 [m Ω]	DC Resistance Max *2 最大直流 抵抗[m Ω]	DC Superimposition Current *3 直流重畳 許容電流 [A]	Temperature Rise Current *4 温度上昇 許容電流 [A]
SHP0735P-F3R3A	3.3	±30%	23	27	6.7	4.7
SHP0735P-F4R7A	4.7	±30%	32	39	6.0	3.5
SHP0735P-F5R6A	5.6	±30%	38	46	5.1	3.3
SHP0735P-F6R8A	6.8	±30%	45	58	4.4	3.2
SHP0735P-F8R2A	8.2	±30%	57	71	4.1	2.7
SHP0735P-F100A	10	±20%	76	84	3.8	2.6
SHP0735P-F120A	12	±20%	81	91	3.6	2.2
SHP0735P-F150A	15	±20%	83	100	3.3	2.1
SHP0735P-F180A	18	±20%	103	120	2.8	1.9
SHP0735P-F220A	22	±20%	125	153	2.4	1.7
SHP0735P-F330A	33	±20%	176	194	2.2	1.6
SHP0735P-F470A	47	±20%	238	266	1.8	1.1
SHP0735P-F560A	56	±20%	342	391	1.6	1.0
SHP0735P-F680A	68	±20%	394	434	1.4	0.9
SHP0735P-F820A	82	±20%	530	590	1.3	0.8
SHP0735P-F101A	100	±20%	613	782	1.1	0.7
SHP0735P-F121A	120	±20%	739	972	1.1	0.6
SHP0735P-F151A	150	±20%	1126	1398	0.9	0.5
SHP0735P-F181A	180	±20%	1257	1589	0.9	0.5
SHP0735P-F221A	220	±20%	1397	1763	0.8	0.45
SHP0735P-F331A	330	±20%	2629	3623	0.7	0.4
SHP0735P-F471A	470	±20%	2998	4301	0.6	0.3

*1 Inductance is measured at 100kHz, 1V .

*2 DC Resistance is measured at ambient temperature 25°C.

*3 DC Current based upon 30% inductance reduction from the initial value.

*4 DC Current based upon 35°C temperature rise.

*5 Operating temperature is -25~120°C(includes coil heating).

インダクタンス測定、100kHz、1V.

直流抵抗は周囲温度25°Cにおいて測定.

インダクタンスが初期値より-30%になる直流電流値.

温度上昇 $\Delta T=35^\circ\text{C}$ になる直流電流値.

動作温度、-25~120°C(コイルの発熱を含む) .

DC SUPERIMPOSITION CHARACTERISTIC / 直流重畳特性

