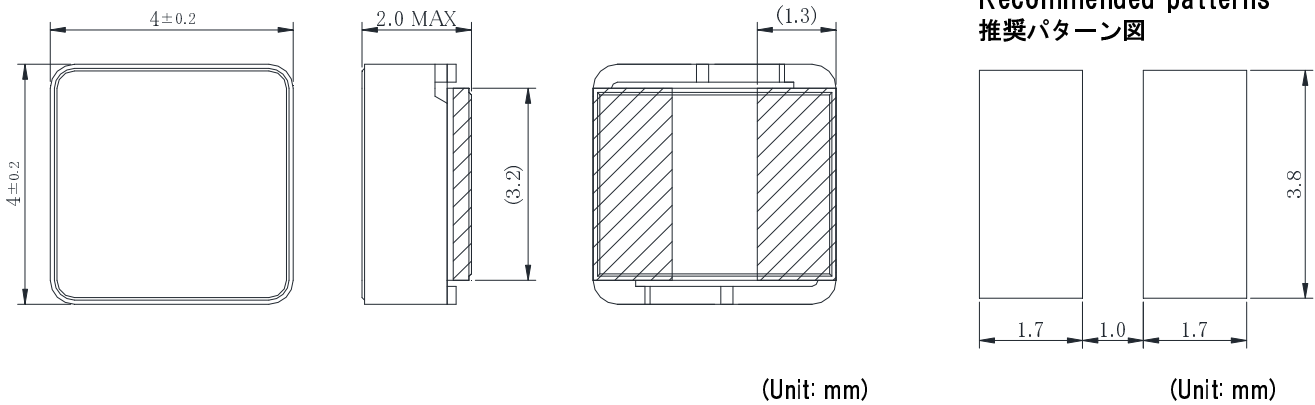


Shield High Power Inductor SHP0420P Series

DIMENSIONS / 外形寸法



FEATURES / 特長

- ・ Low leakage flux to the outside by complete closed magnetic circuit structure.
- ・ Correspond to large saturation current by high Bm Ni-Zn ferrite core.
- ・ 完全閉磁路構造による外部への漏れ磁束が少ない
- ・ 高B材Ni-Zn系フェライトコアによる高飽和電流対応

SPECIFICATIONS / 仕様

Parts No. 部品番号	Inductance *1 インダクタンス [μ H]	Tolerance 許容差 [%]	DC Resistance *2 直流抵抗 [m Ω]	DC Resistance Max *2 最大直流 抵抗[m Ω]	DC Superimposition Current *3 直流重量 許容電流 [A]	Temperature Rise Current *4 温度上昇 許容電流 [A]
SHP0420P-F1R0NAP	1.0	±30%	32	38	3.80	2.93
SHP0420P-F1R6NAP	1.6	±30%	38	45	3.30	2.48
SHP0420P-F2R2NAP	2.2	±30%	54	65	2.60	2.23
SHP0420P-F3R3NAP	3.3	±30%	76	92	2.20	1.85
SHP0420P-F4R7NAP	4.7	±30%	90	108	1.90	1.63
SHP0420P-F6R8NAP	6.8	±30%	148	178	1.45	1.28
SHP0420P-F8R2NAP	8.2	±30%	173	207	1.35	1.21
SHP0420P-F100NAP	10	±30%	237	312	1.25	1.00
SHP0420P-F150NAP	15	±30%	381	450	1.00	0.80
SHP0420P-F220NAP	22	±30%	473	625	0.85	0.73
SHP0420P-F330NAP	33	±30%	720	851	0.70	0.59
SHP0420P-F470NAP	47	±30%	880	1040	0.60	0.54

*1 Inductance is measured at 100kHz, 1V.

*2 DC Resistance is measured at ambient temperature 25°C.

*3 DC Current based upon 30% inductance reduction from the initial value.

*4 DC Current based upon 40°C temperature rise.

*5 Operating temperature is -40~125°C(includes coil heating).

インダクタンス測定、100kHz、1V.

直流抵抗は周囲温度25°Cにおいて測定.

インダクタンスが初期値より-30%になる直流電流値.

温度上昇 $\Delta T=40^\circ\text{C}$ になる直流電流値.

動作温度、-40~125°C(コイルの発熱を含む).