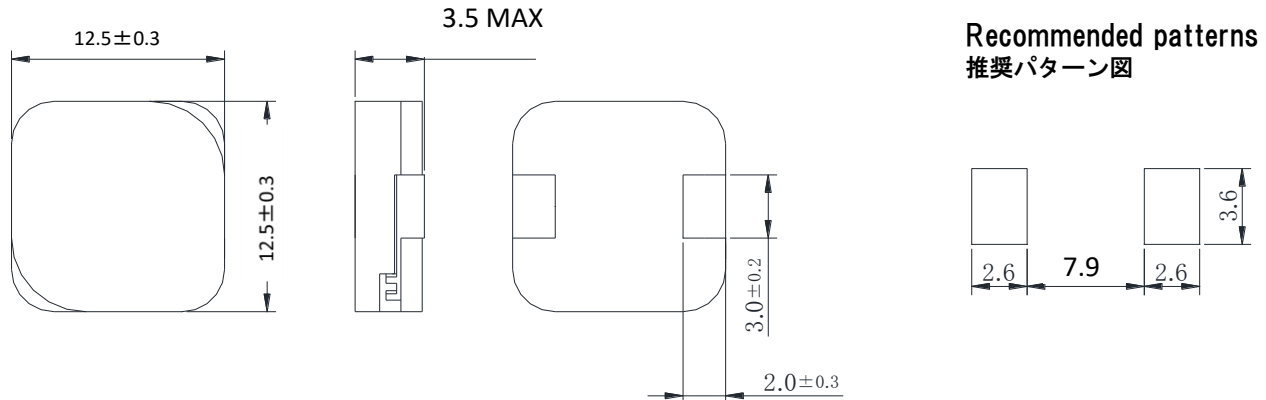


Shield High Power Inductor SHP1235P Series

DIMENSIONS / 外形寸法



FEATURES / 特長

(Unit: mm)

- ・ Low leakage flux to the outside by complete closed magnetic circuit structure. ・ 完全閉磁路構造により漏れ磁束が少ない
- ・ Correspond to large saturation current by high Bm Ni-Zn ferrite core. ・ 高B材Ni-Zn系フェライトコアによる高飽和電流対応

SPECIFICATIONS / 仕様

Parts No. 部品番号	Inductance *1 インダクタンス [μ H]	Tolerance 許容差 [%]	DC Resistance *2 直流抵抗 [m Ω]	DC Resistance Max *2 最大直流 抵抗[m Ω]	DC Superimposition Current *3 直流重量 許容電流 [A]	Temperature Rise Current *4 温度上昇 許容電流 [A]
SHP1235P-F3R3A	3.3	±30%	19	21	9.60	6.00
SHP1235P-F4R7A	4.7	±30%	25	27	8.50	5.40
SHP1235P-F5R6A	5.6	±30%	30	35	7.70	4.50
SHP1235P-F6R8A	6.8	±30%	34	37	6.70	4.30
SHP1235P-F8R2A	8.2	±30%	47	52	6.20	3.60
SHP1235P-F100A	10	±20%	52	58	6.00	3.50
SHP1235P-F120A	12	±20%	58	63	5.90	3.20
SHP1235P-F150A	15	±20%	67	71	5.40	3.10
SHP1235P-F180A	18	±20%	74	76	4.80	2.20
SHP1235P-F220A	22	±20%	83	89	4.30	2.10
SHP1235P-F330A	33	±20%	120	133	3.30	1.80
SHP1235P-F470A	47	±20%	170	181	2.80	1.70
SHP1235P-F560A	56	±20%	171	195	2.70	1.60
SHP1235P-F680A	68	±20%	251	275	2.30	1.50
SHP1235P-F820A	82	±20%	373	377	1.90	1.40
SHP1235P-F101A	100	±20%	414	424	1.80	1.20
SHP1235P-F121A	120	±20%	473	488	1.70	1.10
SHP1235P-F151A	150	±20%	582	848	1.60	1.00
SHP1235P-F181A	180	±20%	659	860	1.30	0.90
SHP1235P-F221A	220	±20%	849	871	1.10	0.80
SHP1235P-F331A	330	±20%	1284	1326	0.90	0.70
SHP1235P-F471A	470	±20%	1787	1900	0.80	0.60

*1 Inductance is measured at 100kHz, 1V .

*2 DC Resistance is measured at ambient temperature 25°C.

*3 DC Current based upon 30% inductance reduction from the initial value.

*4 DC Current based upon 35°C temperature rise.

*5 Operating temperature is -25~120°C(includes coil heating).

インダクタンス測定、100kHz、1V.

直流抵抗は周囲温度25°Cにおいて測定.

インダクタンスが初期値より-30%になる直流電流値.

温度上昇 $\Delta T=35^\circ\text{C}$ になる直流電流値.

動作温度、-25~120°C(コイルの発熱を含む) .