

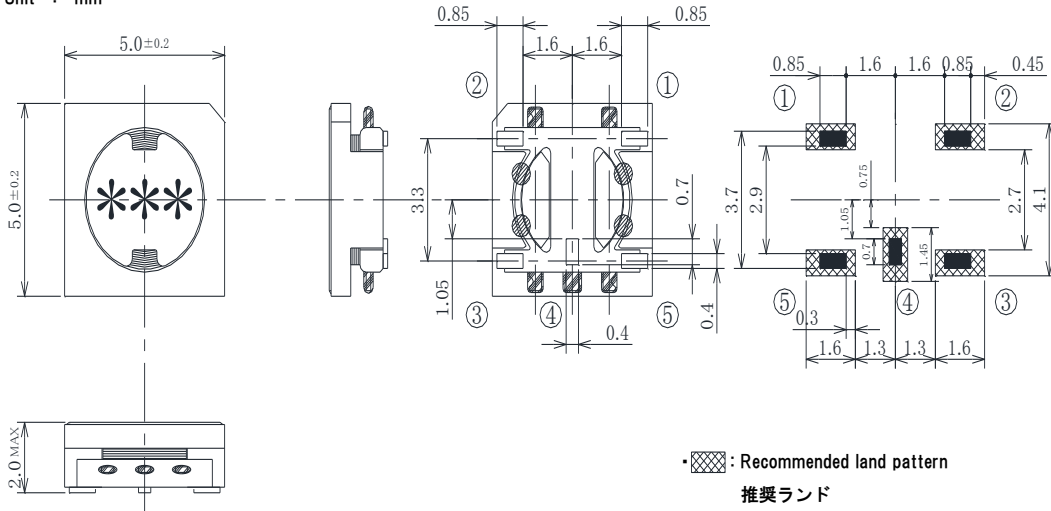
# Transformer

## TTRN-0520H type

RECOMMENDED PATTERNS / 推奨パターン図

### DIMENSIONS / 外形寸法図

Unit : mm



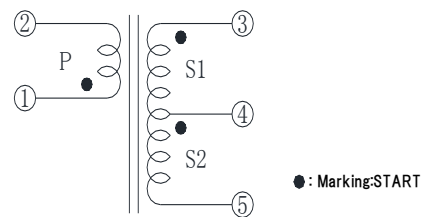
- [Cross-hatched box] : Recommended land pattern  
推奨ランド
- [Solid black box] : Contact surface with terminal PC board  
実装端子
- [Horizontal lines] : Wire  
電線
- [Diagonal lines] : Solder  
半田
- [Dotted box] : Adhesives  
接着剤

### Electrical Specifications / 電氣的仕様

### CONNECTIONS/接続図

ex) TTRN-0520H-006-T

1. INDUCTANCE (Primary)	10 $\mu$ H
2. RATIO	14
3. DC Resistance	Primary 594m $\Omega$ MAX Secondary 130 $\Omega$ MAX
4. Withstanding Voltage	Pri.Sec--core : 0.5kvrms 1sec
5. Operating Temperature Range	-25 to +85 deg.
6. Maximum primary switching current	1.2 (Reference)



● : Marking-START



※This specification might be changed without notice due to under developing. Thank you for your understanding.

本仕様は開発中につき、製品の改善等により記載内容を予告無く変更することがありますので、ご了承下さい。