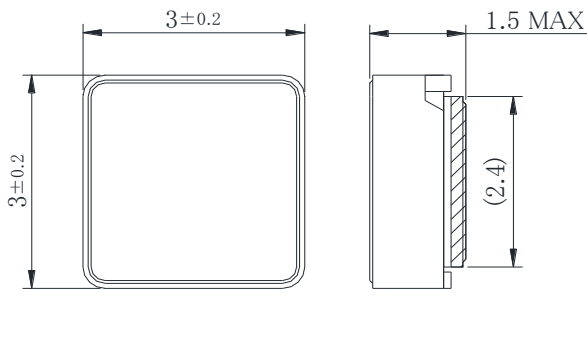


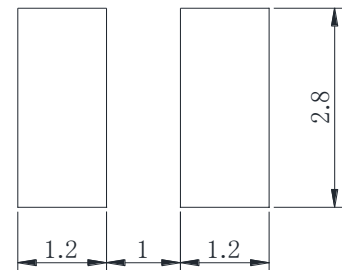
# Shield High Power Inductor SHP0315P Series

## DIMENSIONS / 外形寸法



(Unit: mm)

## Recommended patterns 推奨パターン図



(Unit: mm)

## FEATURES / 特長

- ・ Low leakage flux to the outside by complete closed magnetic circuit structure.
- ・ 完全閉磁路構造による外部への漏れ磁束が少ない
- ・ Correspond to large saturation current by high Bm Ni-Zn ferrite core.
- ・ 高B材Ni-Zn系フェライトコアによる高飽和電流対応

## SPECIFICATIONS / 仕様

Parts No. 部品番号	Inductance *1 インダクタンス [μH]	Tolerance 許容差 [%]	DC Resistance *2 直流抵抗 [mΩ]	DC Resistance Max *2 最大直流 抵抗[mΩ]	DC Superimposition Current *3 直流重量 許容電流 [A]	Temperature Rise Current *4 温度上昇 許容電流 [A]
SHP0315P-F1R0NAP	1.0	±30%	76	92	2.24	1.71
SHP0315P-F1R6NAP	1.6	±30%	108	130	1.80	1.42
SHP0315P-F2R2NAP	2.2	±30%	131	157	1.56	1.30
SHP0315P-F3R3NAP	3.3	±30%	219	263	1.29	1.00
SHP0315P-F4R7NAP	4.7	±30%	271	325	1.07	0.90
SHP0315P-F6R8NAP	6.8	±30%	491	589	0.89	0.65
SHP0315P-F8R2NAP	8.2	±30%	548	658	0.81	0.62
SHP0315P-F100NAP	10	±30%	608	730	0.73	0.59
SHP0315P-F150NAP	15	±30%	1017	1220	0.59	0.45
SHP0315P-F180NAP	18	±30%	1142	1370	0.54	0.43
SHP0315P-F220NAP	22	±30%	1268	1522	0.49	0.40
SHP0315P-F330NAP	33	±30%	2157	2588	0.40	0.31

\*1 Inductance is measured at 100kHz, 1V .

\*2 DC Resistance is measured at ambient temperature 25°C.

\*3 DC Current based upon 30% inductance reduction from the initial value.

\*4 DC Current based upon 40°C temperature rise.

\*5 Operating temperature is -40~120°C(includes coil heating).

インダクタンス測定、100kHz、1V.

直流抵抗は周囲温度25°Cにおいて測定.

インダクタンスが初期値より-30%になる直流電流値.

温度上昇ΔT=40°Cになる直流電流値.

動作温度、-40~120°C(コイルの発熱を含む) .