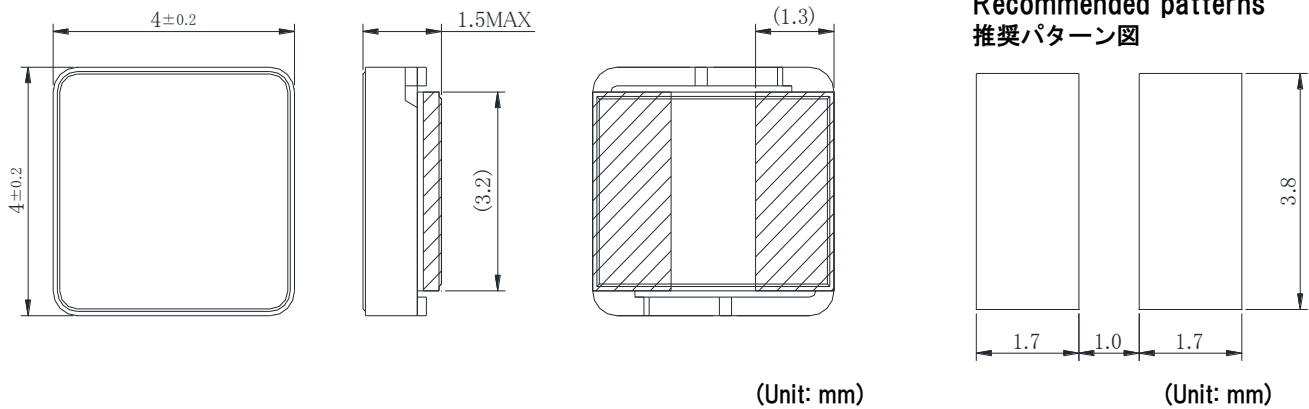


Shield High Power Inductor SHP0415P Series

DIMENSIONS / 外形寸法



FEATURES / 特長

- Low leakage flux to the outside by complete closed magnetic circuit structure.
 - Correspond to large saturation current by high Bm Ni-Zn ferrite core.
- 完全閉磁路構造による外部への漏れ磁束が少ない
 - 高B材Ni-Zn系フェライトコアによる高飽和電流対応

SPECIFICATIONS / 仕様

Parts No. 部品番号	Inductance *1 インダクタンス [μH]	Tolerance 許容差 [%]	DC Resistance *2 直流抵抗 [mΩ]	DC Resistance Max *2 最大直流 抵抗[mΩ]	DC Superimposition Current *3 直流重量 許容電流 [A]	Temperature Rise Current *4 温度上昇 許容電流 [A]
SHP0415P-F1R0NAP	1.0	±30%	41	49	3.04	2.77
SHP0415P-F1R6NAP	1.6	±30%	69	83	2.42	2.13
SHP0415P-F2R2NAP	2.2	±30%	87	104	2.06	1.90
SHP0415P-F3R3NAP	3.3	±30%	145	174	1.66	1.47
SHP0415P-F4R7NAP	4.7	±30%	180	216	1.43	1.30
SHP0415P-F6R8NAP	6.8	±30%	249	299	1.18	1.13
SHP0415P-F8R2NAP	8.2	±30%	289	347	1.06	1.03
SHP0415P-F100NAP	10	±30%	407	488	1.03	0.86
SHP0415P-F150NAP	15	±30%	498	599	0.83	0.79
SHP0415P-F180NAP	18	±30%	618	742	0.71	0.70
SHP0415P-F220NAP	22	±30%	708	850	0.65	0.66
SHP0415P-F330NAP	33	±30%	1130	1356	0.54	0.52
SHP0415P-F470NAP	47	±30%	1371	1645	0.45	0.47

- *1 Inductance is measured at 100kHz, 1V .
- *2 DC Resistance is measured at ambient temperature 25°C.
- *3 DC Current based upon 30% inductance reduction from the initial value.
- *4 DC Current based upon 40°C temperature rise.
- *5 Operating temperature is -40~120°C(includes coil heating).

- インダクタンス測定、100kHz、1V.
- 直流抵抗は周囲温度25°Cにおいて測定.
- インダクタンスが初期値より-30%になる直流電流値.
- 温度上昇ΔT=40°Cになる直流電流値.
- 動作温度、-40~120°C(コイルの発熱を含む) .