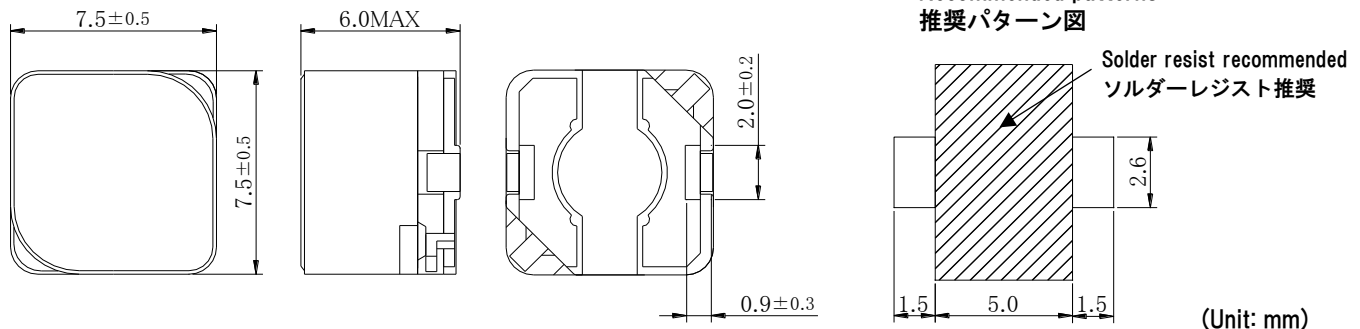


# Shield High Power Inductor SHP0760AP Series

## DIMENSIONS / 外形寸法



## FEATURES / 特長

- Low leakage flux by complete closed magnetic circuit structure. • 完全閉磁路構造により漏れ磁束が少ない
- Correspond to large saturation current by high Bm Ni-Zn ferrite core. • 高B材Ni-Zn系フェライトコアによる高飽和電流対応

## SPECIFICATIONS / 仕様

| Parts No.<br>部品番号 | Inductance<br>*1<br>インダクタンス<br>[ $\mu$ H] | Tolerance<br>許容差<br>[%] | DC Resistance<br>*2<br>直流抵抗<br>[m $\Omega$ ] | DC Resistance Max<br>*2<br>最大直流<br>抵抗[m $\Omega$ ] | DC Superimposition<br>Current *3<br>直流重量<br>許容電流 [A] | Temperature<br>Rise Current *4<br>温度上昇<br>許容電流 [A] |
|-------------------|---|-------------------------|--|--|--|--|
| SHP0760P-F3R3AP   | 3.3                                       | ±30%                    | 14   | 17   | 4.86   | 6.13   |
| SHP0760P-F4R7AP   | 4.7                                       | ±30%                    | 17   | 20   | 4.14   | 5.33   |
| SHP0760P-F5R6AP   | 5.6                                       | ±30%                    | 18   | 23   | 3.69   | 5.11   |
| SHP0760P-F6R8AP   | 6.8                                       | ±30%                    | 24   | 29   | 3.51   | 4.86   |
| SHP0760P-F8R2AP   | 8.2                                       | ±30%                    | 26   | 32   | 3.15   | 4.47   |
| SHP0760P-F100AP   | 10  | ±20%                    | 30   | 36   | 2.88   | 4.10   |
| SHP0760P-F120AP   | 12  | ±20%                    | 32   | 39   | 2.61   | 3.69   |
| SHP0760P-F150AP   | 15  | ±20%                    | 46   | 53   | 2.25   | 3.21   |
| SHP0760P-F180AP   | 18  | ±20%                    | 51   | 60   | 2.16   | 3.00   |
| SHP0760P-F220AP   | 22  | ±20%                    | 56   | 69   | 1.98   | 2.74   |
| SHP0760P-F330AP   | 33  | ±20%                    | 82   | 95   | 1.62   | 1.94   |
| SHP0760P-F470AP   | 47  | ±20%                    | 113  | 128  | 1.35   | 1.70   |
| SHP0760P-F560AP   | 56  | ±20%                    | 151  | 182  | 1.17   | 1.65   |
| SHP0760P-F680AP   | 68  | ±20%                    | 170  | 200  | 1.08   | 1.54   |
| SHP0760P-F820AP   | 82  | ±20%                    | 188  | 217  | 0.99   | 1.32   |
| SHP0760P-F101AP   | 100                                       | ±20%                    | 228  | 265  | 0.90   | 1.20   |
| SHP0760P-F121AP   | 120                                       | ±20%                    | 288  | 331  | 0.81   | 1.19   |
| SHP0760P-F151AP   | 150                                       | ±20%                    | 382  | 440  | 0.72   | 0.92   |
| SHP0760P-F181AP   | 180                                       | ±20%                    | 455  | 524  | 0.67   | 0.87   |
| SHP0760P-F221AP   | 220                                       | ±20%                    | 515  | 594  | 0.63   | 0.72   |
| SHP0760P-F331AP   | 330                                       | ±20%                    | 780  | 897  | 0.45   | 0.67   |
| SHP0760P-F471AP   | 470                                       | ±20%                    | 1167   | 1342   | 0.36   | 0.62   |

\*1 Inductance is measured at 100kHz, 1V .

\*2 DC Resistance is measured at ambient temperature 20°C.

\*3 DC Current based upon 30% inductance reduction from the initial value.

\*4 DC Current based upon 35°C temperature rise.

\*5 Operating temperature is -40~125°C(includes coil heating).

インダクタンス測定、100kHz、1V.

直流抵抗は周囲温度20°Cにおいて測定.

インダクタンスが初期値より-30%になる直流電流値.

温度上昇 $\Delta T=35^\circ\text{C}$ になる直流電流値.

動作温度、-40~125°C(コイルの発熱を含む) .

※This specification might be changed without notice due to under developing. Thank you for your understanding.

本仕様は開発中につき、製品の改善等により記載内容を予告無く変更することがありますので、ご了承下さい。